

# Oil-less Vacuum Pumps

JP-90V & JP-140V

P.O. Box 48488, Roosevelt Park, 2129,  
South Africa.

Tel: Jhb +27 (0) 11 475 1823 ::  
Dbn 031 301 7617 :: CT 021 461 9607  
Fax. +27 (0) 11 475 1819  
email: [sales@vacutec.co.za](mailto:sales@vacutec.co.za)

# Vacuum Pumps

## JP-90V

This two chamber pump is a slightly smaller version of the JP-140V.

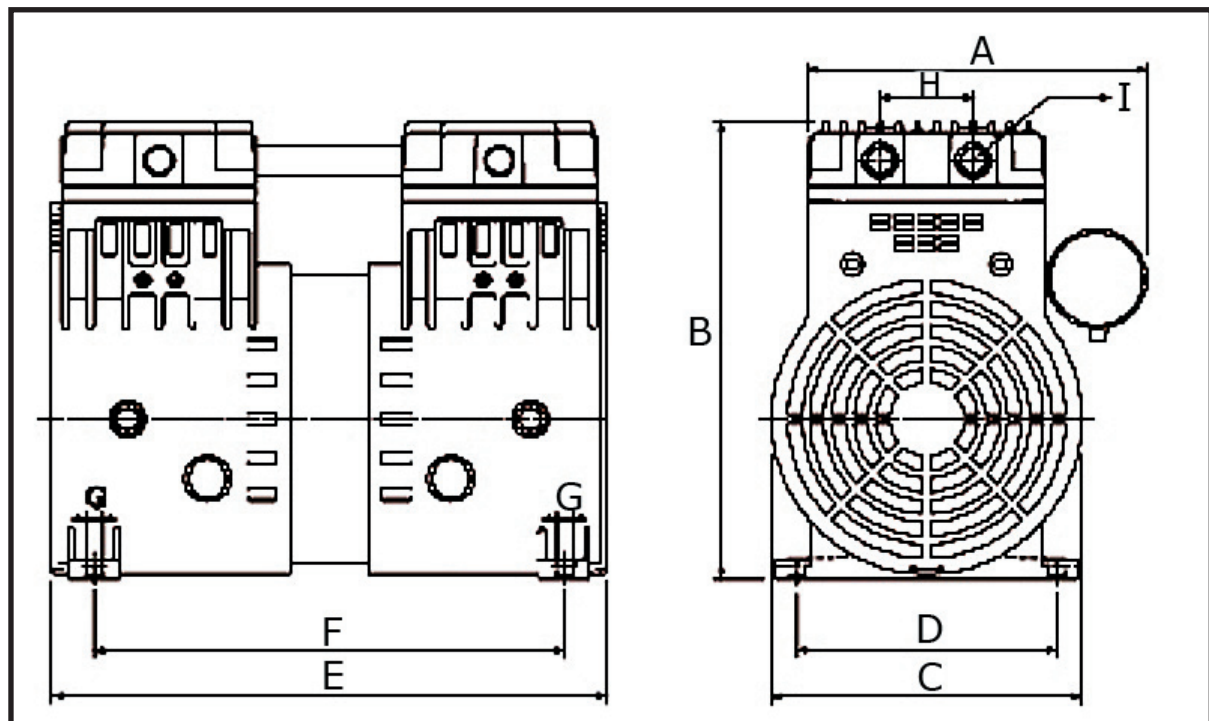
This completely oil free high, flow rate vacuum pump is ideal for laboratory filtering and similar applications. Its internal surfaces are corrosion resistant and will handle water vapour and most laboratory chemicals.

## Specifications

Model		JP-90V
Frequency	Hz	50
Max AirFlow	L/min	40
	cfm	2.86
Max vacuum	mbar	10
Motor voltage	Volt	230
Rated current	Amp	0.8
Motor Speed	Rpm	1465
Motor power	phase	Single phase
Motor output	Watt	170W
Ambient temperature	°C	7 - 40°C
Capacitor	µF	12 µF
Noise level	dB	56

## Dimensions (mm)

Model	JP-90V
A	146
B	196.5
C	Ø134
D	112
E	240
F	203.5
G	Ø7
H	40
I	PT1/4"
Weight	8.35 Kg



# Vacuum Pumps

## JP-140V

Two chamber dry vacuum pump ideal for general laboratory use. This completely oil free high, flow rate vacuum pump is ideal for laboratory filtering and similar applications. Its internal surfaces are corrosion resistant and will handle water vapour and most laboratory chemicals.

Flow rates of 119L/min make it far superior to the traditional diaphragm pumps that are often used in laboratories.

More than 200 units are sold in South Africa Already.  
Try on free of charge on demo!

## Specifications

Model		JP-140V
Frequency	Hz	50
Max AirFlow	L/min	120
	cfm	4.50
Max vacuum	mbar	75
Motor voltage	Volt	230
Rated current	Amp	1.8
Motor Speed	Rpm	1465
Motor power	phase	Single Phase
Motor output	Watt	410W
Ambient temperature	°C	7 - 40°C
Capacitor	µF	12 µF
Noise level	dB	56

## Dimensions (mm)

Model	JP-140V
A	146
B	198
C	Ø134
D	112
E	240
F	203.5
G	Ø7
H	40
I	PT1/4"
Weight	8.40Kg

